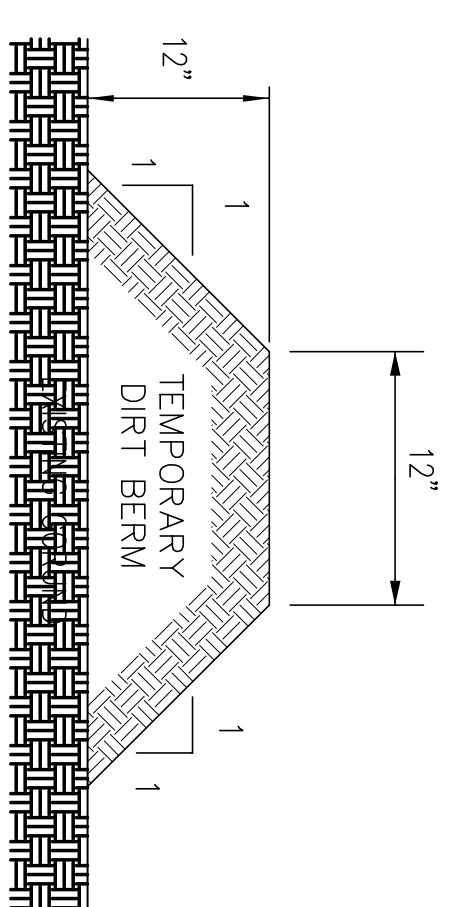
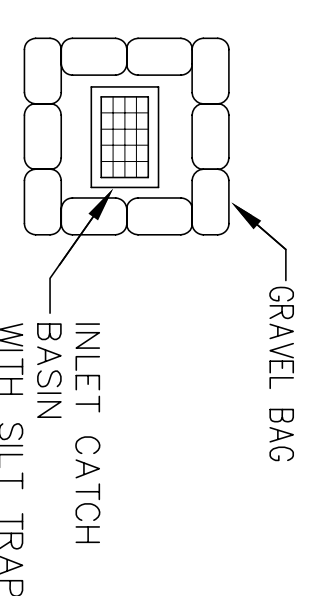


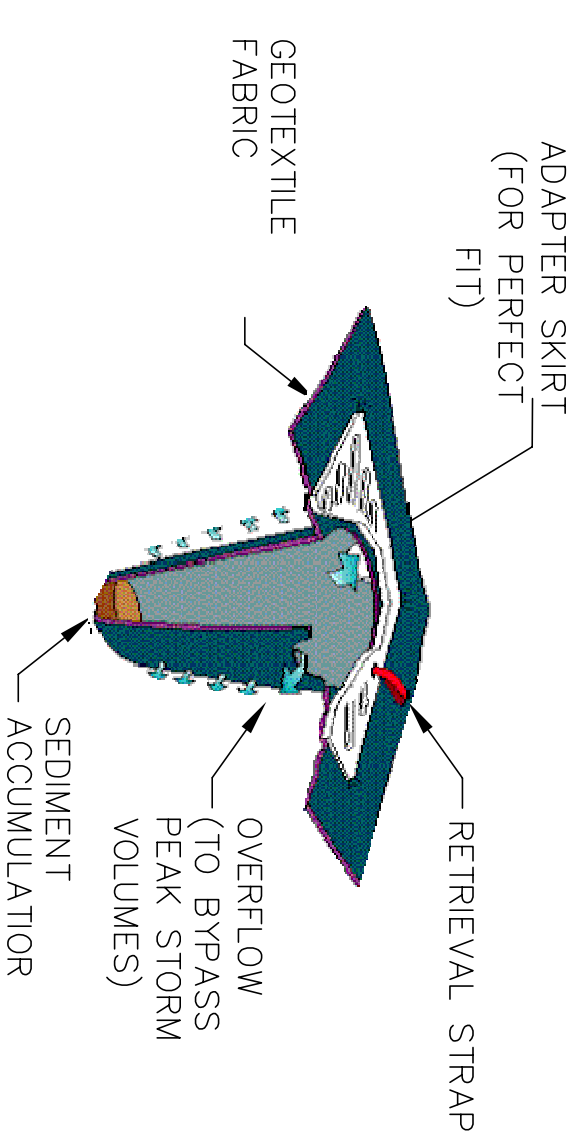
E STRAW BALE DETAIL
NOT TO SCALE



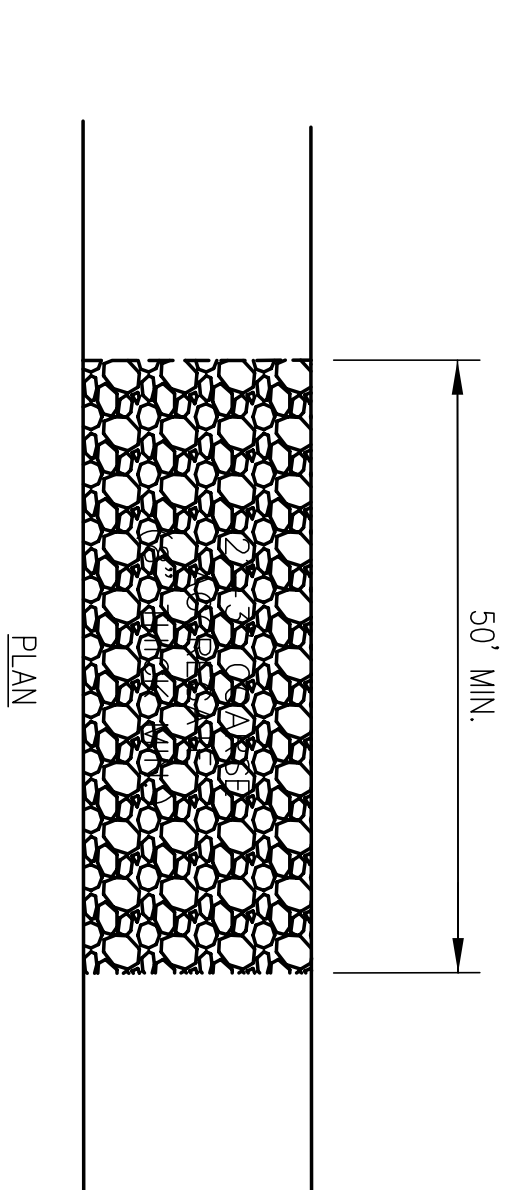
G TEMPORARY DIRT BERM DETAIL
NOT TO SCALE



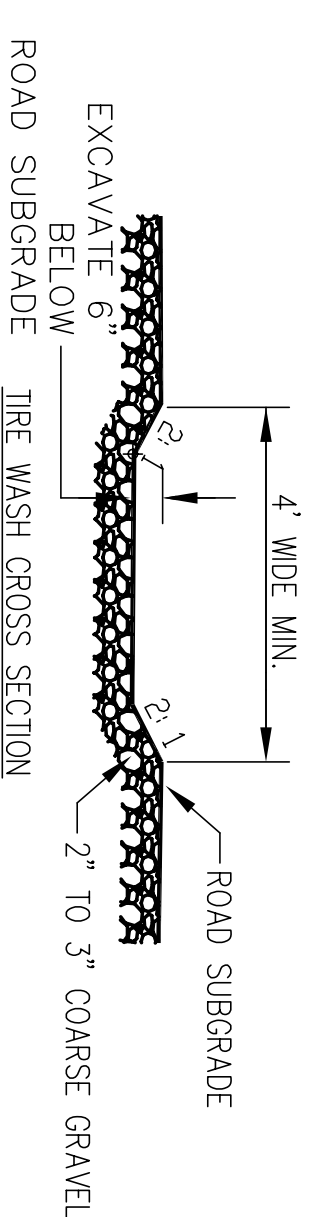
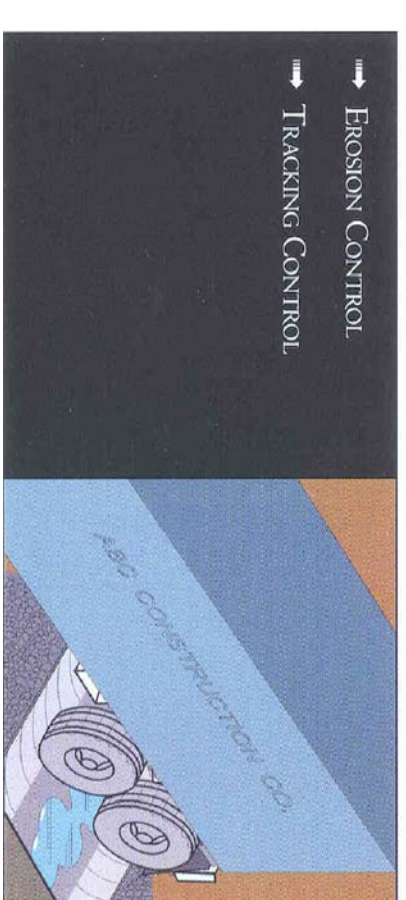
H CATCH BASIN DETAIL
NOT TO SCALE



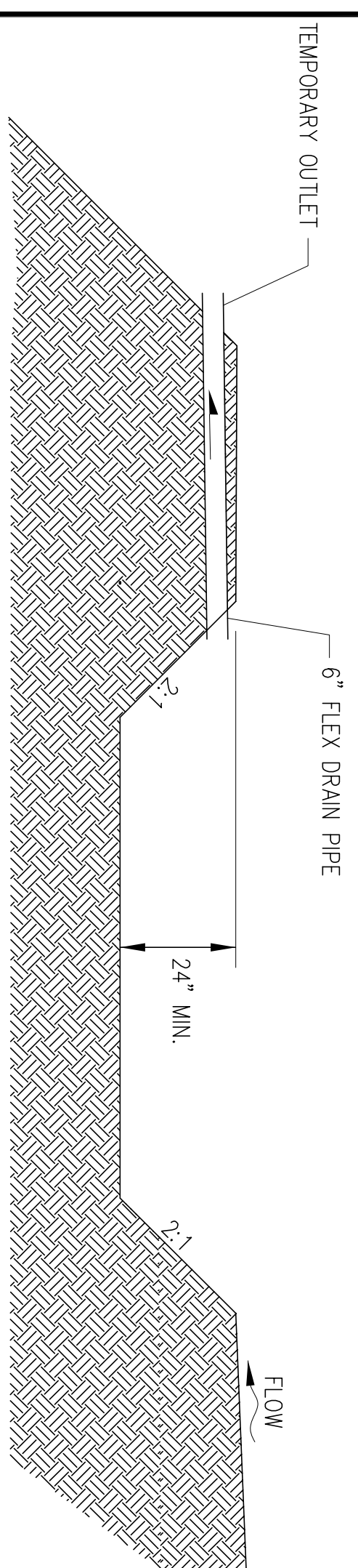
I SILT TRAP DETAIL
NOT TO SCALE



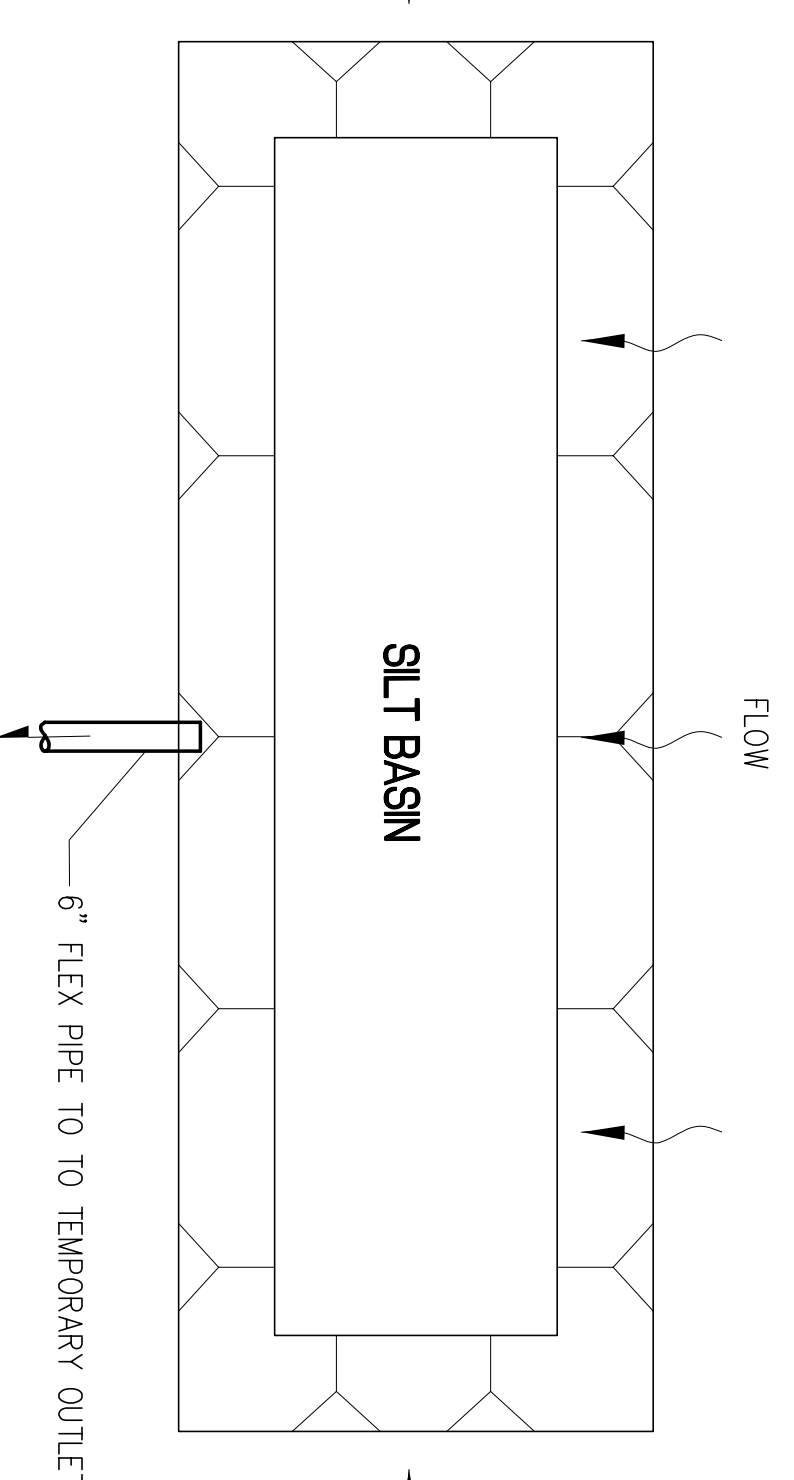
J STABILIZED CONSTRUCTION ENTRANCE DETAIL
NOT TO SCALE



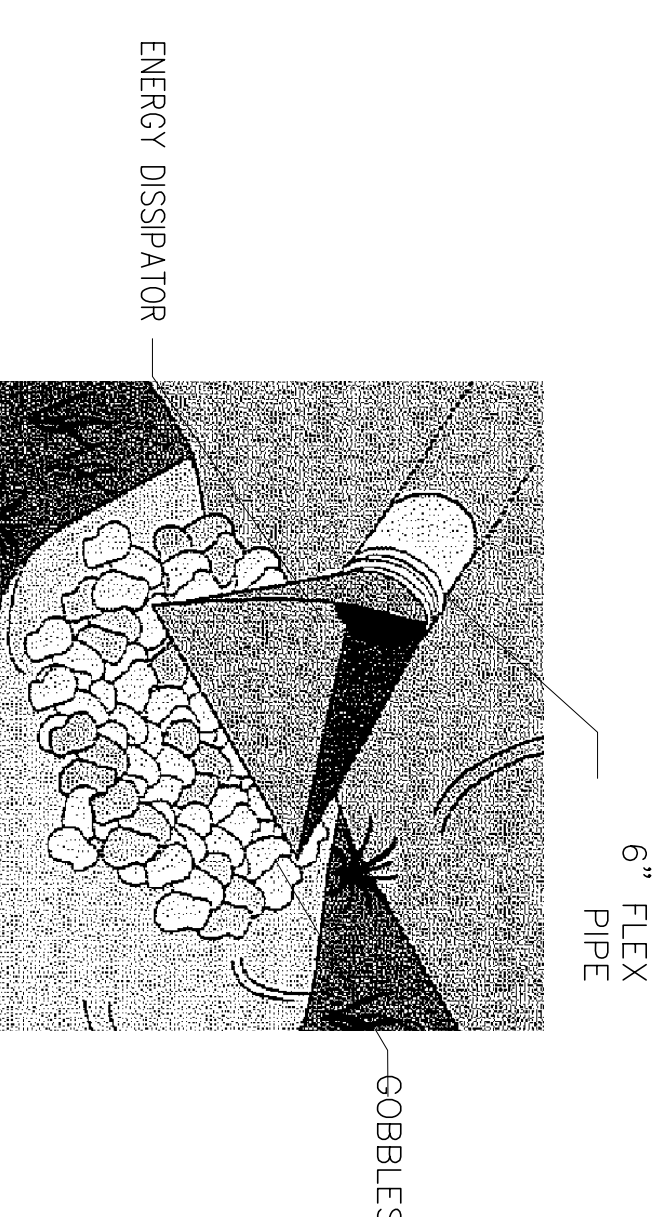
K TIRE WASH DETAIL
NOT TO SCALE



L TYPICAL SILT BASIN
NOT TO SCALE



M SILT BASIN TEMPORARY OUTLET PROTECTION
NOT TO SCALE



No.	BY	DATE	REVISIONS



EROSION CONTROL PLAN
THE CALIFORNIA! EXHIBIT
CUP CM09085 - OAKLAND ZOO

OAKLAND ALAMEDA COUNTY CALIFORNIA

JOB NO	208022
SCALE	NTS
DATE	6/15/2010
DESIGN	
DRAWN	MC
APPROVED	

